



GLDA01A4J



Actual product appearance may vary.

Global Limit Switches Series GLS: Side Rotary With Rod - Adjustable, 1NC 1NO SPDT Snap Action, 0.5 in - 14NPT conduit

Features

- Designed to IEC standard for world-wide applications
- UL, CSA, and CE
- International conduit sizes
- Direct PLC interface compatible (two circuit)
- Modular construction reduces maintenance parts costs
- Designed for ease of installation
- Variety of basic switch versions
- Wide choice of actuators

Potential Applications

- Machine tools: metal fabrication equipment, presses, transfer lines and special machinery
- Material handling equipment: conveyors, elevators, cranes, and hoists
- Packaging machinery and process equipment
- Textile machinery
- Construction machinery and equipment, vehicles and lift trucks

Description

The GLS series limit switches are specifically designed for world-wide applications and are supported by Honeywell global resources for sale and after sale service.

Product Specifications	
Availability	Global
Operating Force (O.F.)	0,120 N m [1.10 in lb]
Pretravel (P.T.)	26°
Overtravel (O.T.)	49°
Differential Travel (D.T.)	11.5°
Product Type	EN50041/47 Global Limit Switch
Actuator	Side Rotary
Lever Style	Rod - Adjustable
Circuitry	1NC 1NO SPDT Snap Action
Ampere Rating	10 A (Thermal)
Supply Voltage	600 Vac and 250 Vdc max.

Housing Material	Plastic
Termination Type	0.5 in - 14NPT conduit
Housing Type	EN 50047
Series Name	GLS MIN-DIN
Shock	50 g per IEC 68-2-27c (w/o Actuator)
Vibration	10 g per IEC 68-2-6 (w/o Actuator)
Sealing	NEMA 1, 12, 13 IP66
Approvals	UL, CSA, CE
CSA File #	LR94369-3
UL File #	E37138 & E157416
Mechanical Life	10 million
Operating Temperature Range	-40 °C to 85 °C [-40 °F to 185 °F]
Agency Approvals and Standards	IEC 947-5-1, EN60947-5-1, UL508, UL746-C
UNSPSC Code	302119
UNSPSC Commodity	302119 Switches and controls and relays
Sealed	Industrial
Operating Position (O.P.)	26°

MTG-GL-195

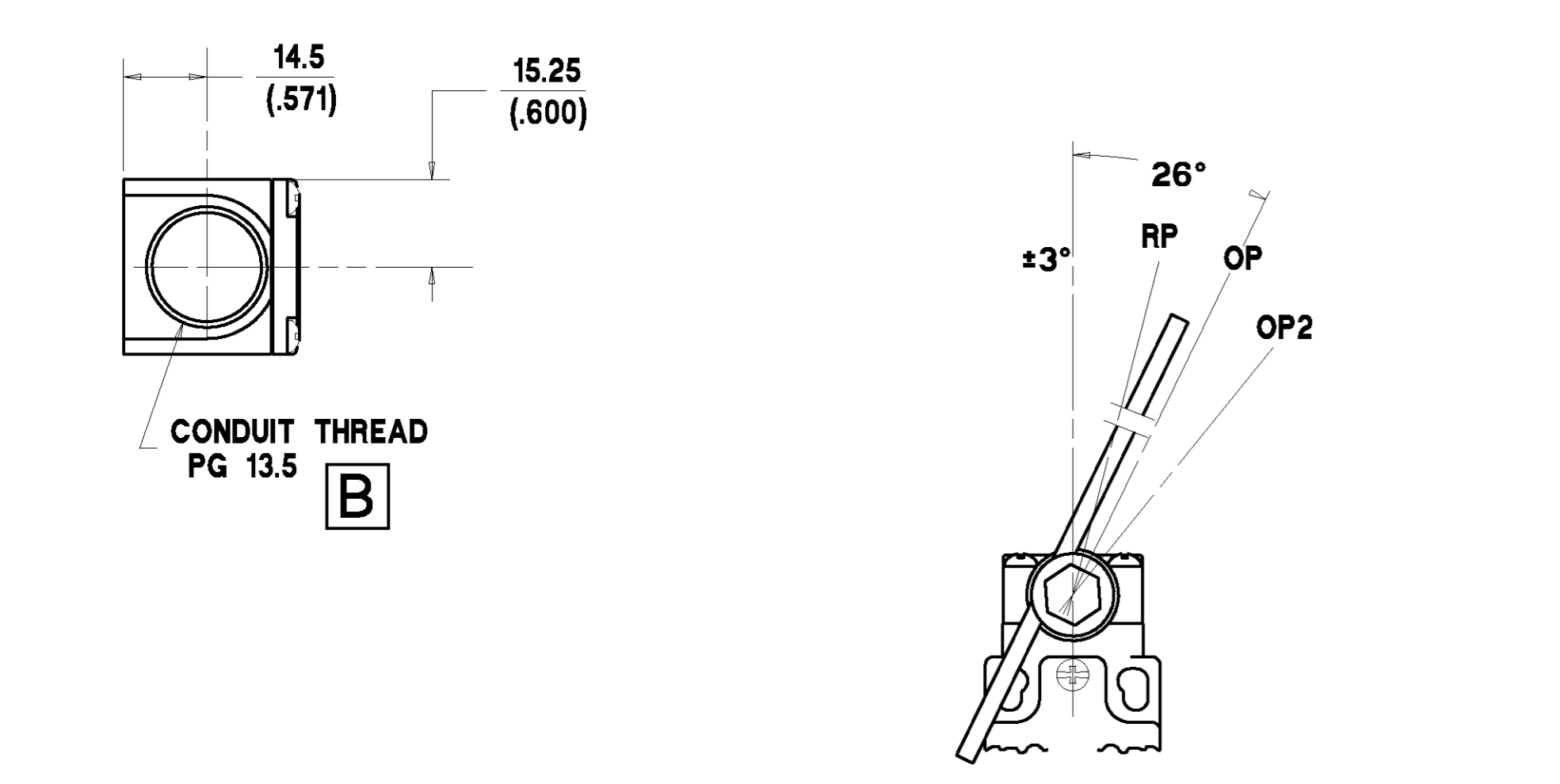
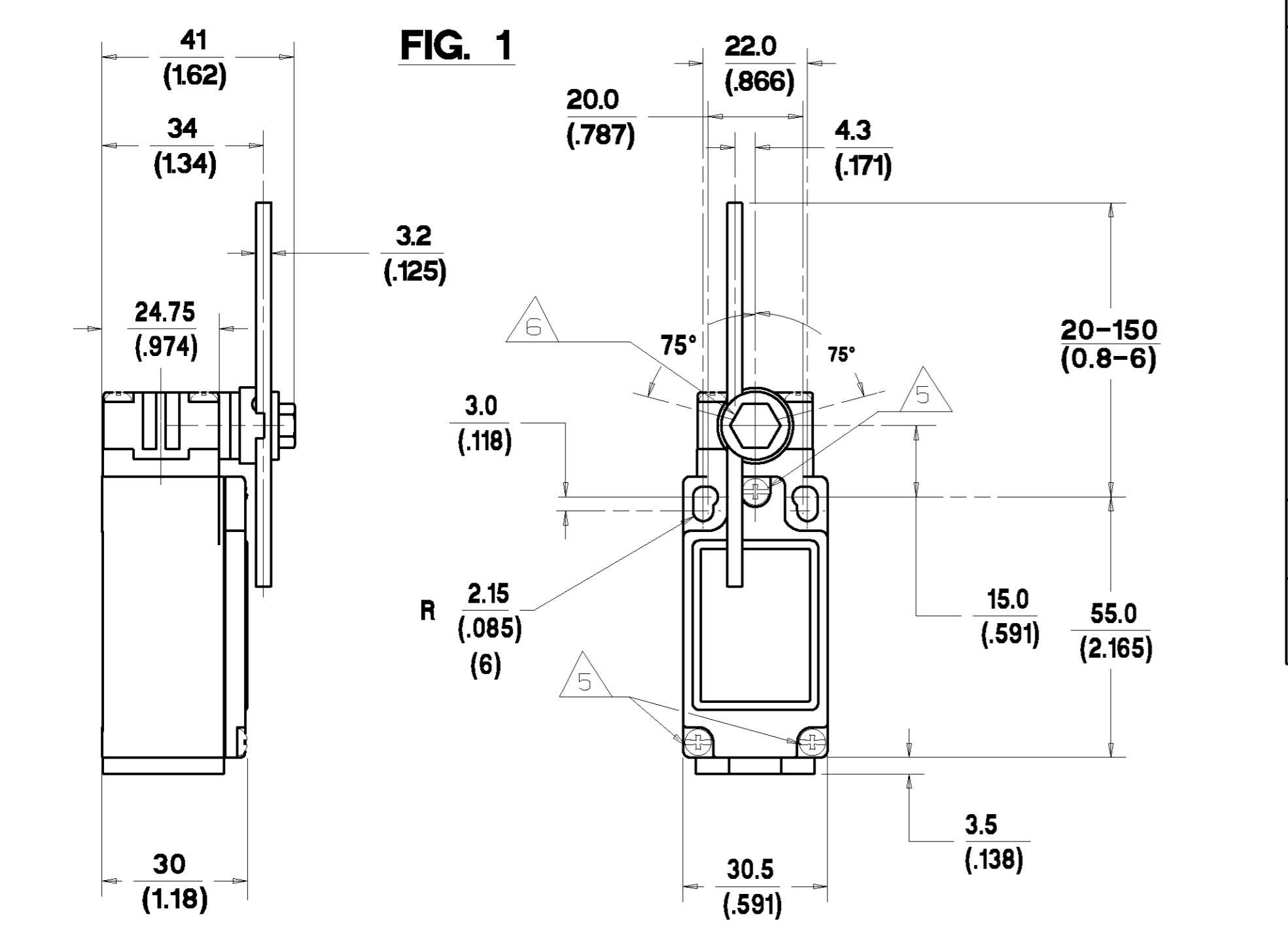
REPLACES
A018-185

REVISIONS

2	7/96
3	12/96
4	7/97
5	8/97
6	CO/395

4/95	4/95	4/95
4/95	4/95	4/95
4/95	4/95	4/95

Honeywell **LIMIT SWITCH**
CATALOGUE LISTING
GLS
CHART NO.
MTG-GL-195

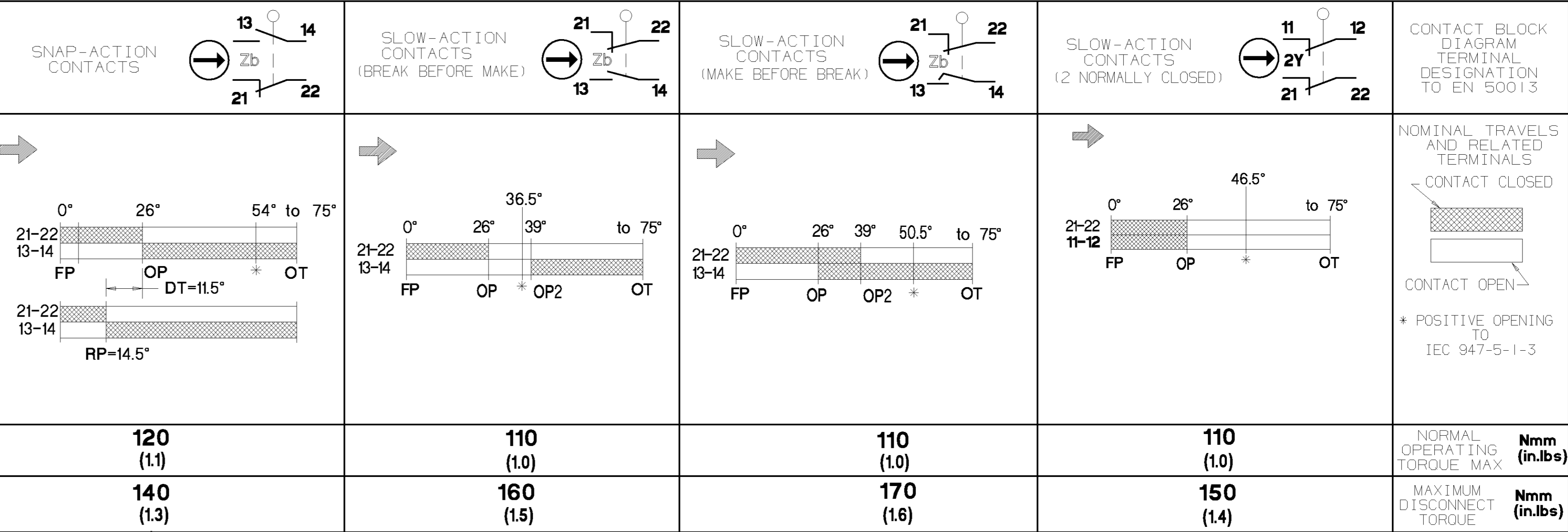


NOTES:-
1. MICRO SWITCH BLUE GLASS FILLED POLYESTER HOUSING & COVER. BLACK GLASS FILLED POLYAMIDE HEAD.
2. ENCLOSURE DOUBLE INSULATED TO IEC 539 CLASS II.
3. MINIMUM OPERATING VELOCITY (V_{min}) = 0.26 rad/s
MAXIMUM OPERATING VELOCITY (V_{max}) = 25 rad/s
MAXIMUM OPERATING FREQUENCY (F_{max}) = 250 OPS/MIN
4. FREE POSITION (FP), OPERATING POINT (OP), OVERTRAVEL (OT) AND PRETRAVEL (PT) ALL TO EN50047.
△ MAXIMUM TIGHTENING TORQUE FOR FIXING SCREW = 0.5Nm (4.4in.LB)
△ MAXIMUM TIGHTENING TORQUE FOR FIXING SCREW = 0.8Nm (7in.LB)

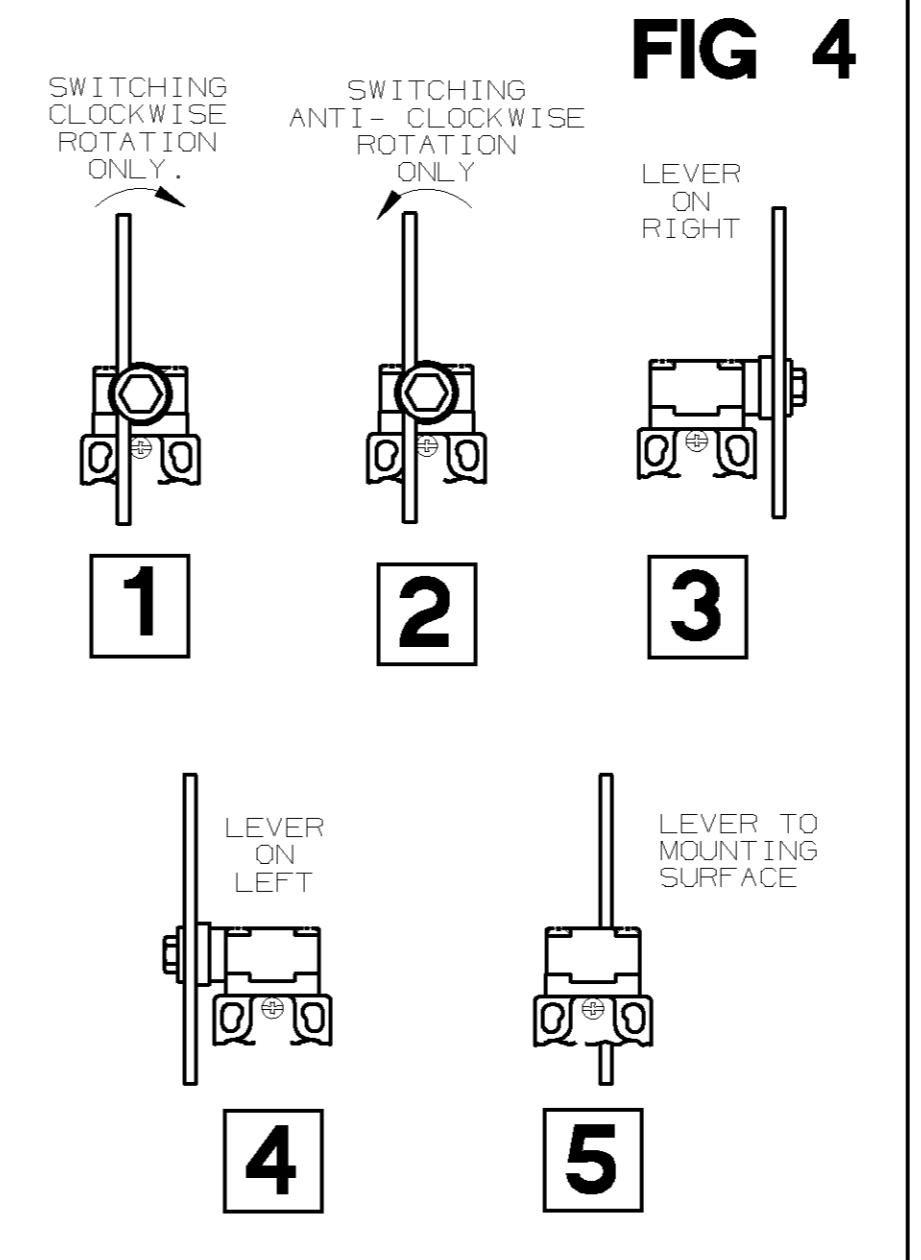
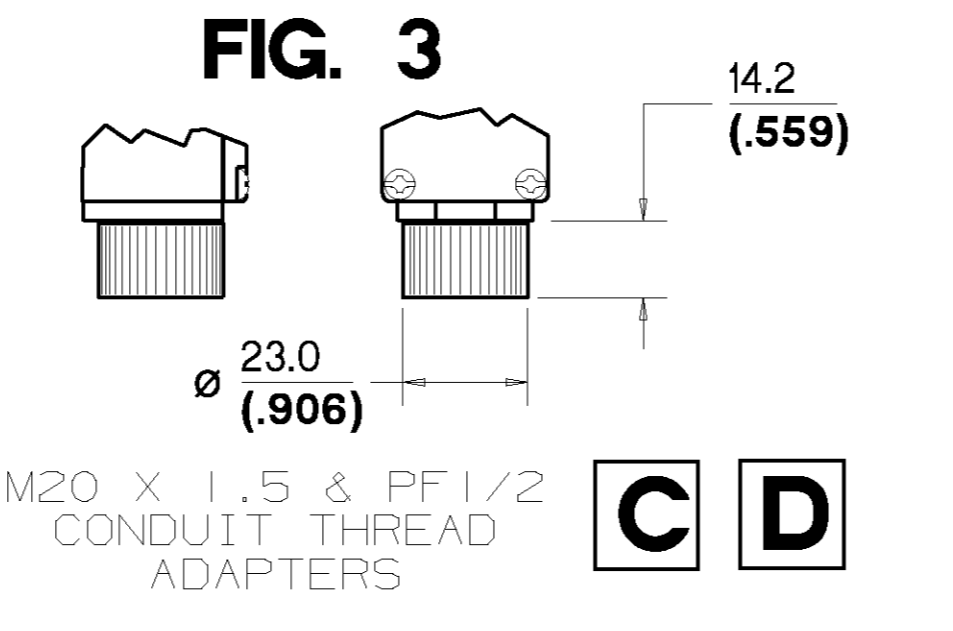
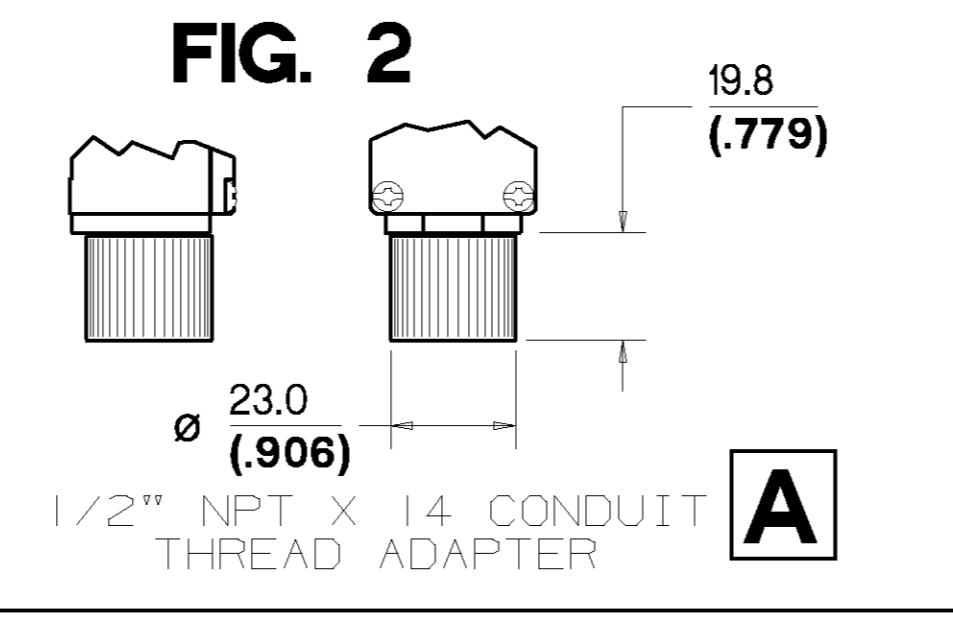
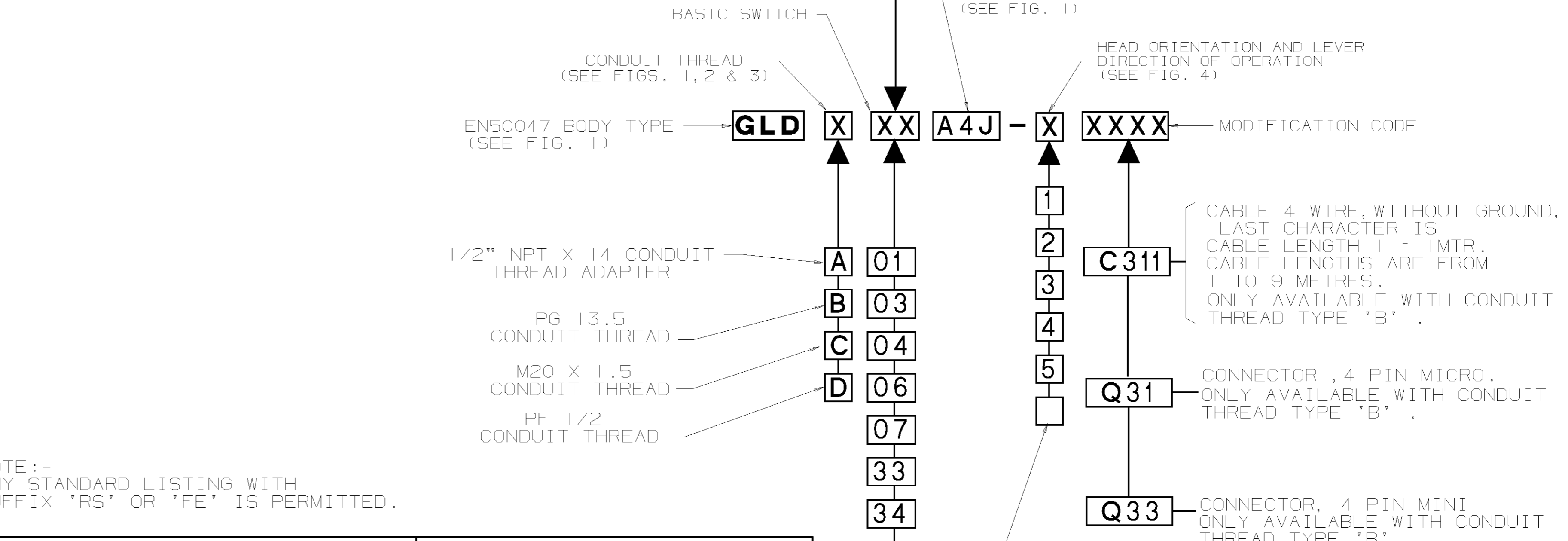
NO CHANGES CAN BE MADE TO THIS DRAWING WITHOUT JOINT NEWHOUSE/FREEPORT APPROVAL

IEC 947-5-1 ELECTRICAL RATING				ENVIRONMENTAL		APPROVALS
SILVER CONTACTS			GOLD PLATED CONTACTS		IP66 NEMA 1, 4, 12, 13	UL
AC	AC (FOR 2NC)	DC				
AG00 AC15	A500 AC15	O300 DC13	I _{th} = 10A		TEMP RANGE : -25°C TO 85°C -13°F TO 185°F	IEC 947-5-1
U _e I _e	U _e I _e	U _e I _e	1V 10µA MIN. 50V 100mA MAX.			
120	120	125	SHOCK : 50G PER IEC 68-2-27		EN50047	VIBRATION : 10G PER IEC 68-2-6
240	240	250				
380	380					
480	480					
500	500					
600	600					

SCALE DIMENSIONS ARE IN MM/INCHES. MODIFY ON CAD SYSTEM ONLY



120 (1.1)	110 (1.0)	110 (1.0)	110 (1.0)	NORMAL OPERATING TORQUE MAX Nmm (in.lbs)
140 (1.3)	160 (1.5)	170 (1.6)	150 (1.4)	MAXIMUM DISCONNECT TORQUE Nmm (in.lbs)



NOTE:
FOR CONNECTION DIAGRAMS AND ADDITIONAL ELECTRICAL ENVIRONMENTAL & DIMENSIONAL INFORMATION SEE DRAWING GL-49212.